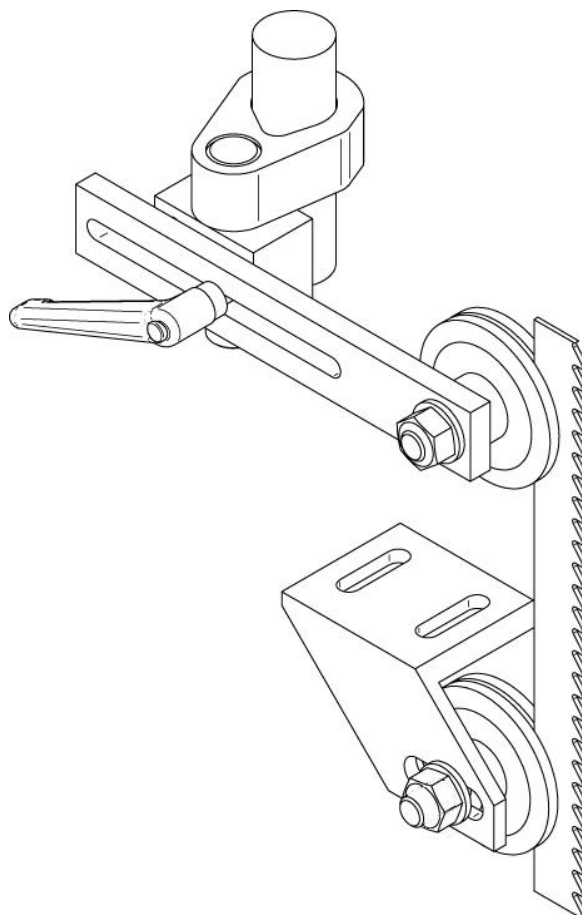


Product sheet

HYRO[®]

Your benefits by choosing a HYRO[®] band saw guide

- ✓ Increase productivity at demanding joinery works
- ✓ Increased precision
- ✓ Increased safety
- ✓ Prolonged the life of the band saw blade
- ✓ Less or no finishing



Ordering

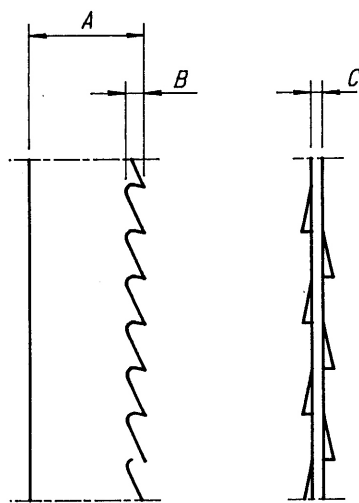
The only things that must be reported are the measures A, B and C. Then we do the rest.

Standard measures: A = 4 – 52

B = 0,5 – 15

C = 0,36 – 1,5

But if you have measures, that are beyond the standard, we also manufacture special units.



Brackets

There are several types of mounting / fixing opportunities.

